



# MODEL 80-D SPECIFICATIONS

40 Ton (36.287 Metric Ton) Crane/Excavator  
PCSA Class 12-149

## GENERAL DIMENSIONS

<b>CRAWLER BASE</b>			
J	Overall Length of Crawler	15' 10"	4.83m
	Width with 30" (762mm) Treads	12' 2"	3.71m
	Overall Width of Cab	10' 8 3/4"	3.27m
<b>C</b>			
	Swing Clearance of Rear End from Axis of Rotation	12' 2"	3.71m
F <sub>1</sub>	Gantry Height Above Grade Lowered	13' 0"	3.96m
F <sub>2</sub>	Gantry Height Above Grade Raised	20' 6"	6.25m
M	Maximum Height of Crawler Tread Belt	3' 5"	1.04m
G	Distance Under Counterweight to Grade	3' 9"	1.14m
<b>D</b>			
	Distance of Boom Foot Pin to Axis of Rotation	4' 8"	1.42
<b>E</b>			
	Height of Boom Foot Pin Above Grade		
	Shovel	7' 1 1/4"	2.17m
	Crane/Dragnline	7' 0"	2.13m
<b>AN</b>			
	Boom Length from Foot Pin to Boom Head Sheave Pin	25' 0"	7.62m
<b>SPEEDS</b>			
	Swing Speed	3.3 RPM	
	Travel Speed	.9 MPH	1.44 km/h

## JIB CAPACITIES

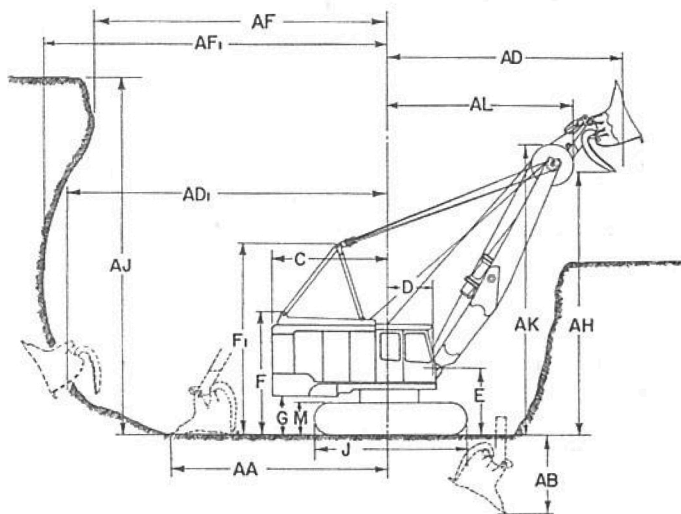
Jib Length	30° Capacity	Horizontal Capacity	Reduction in Crane Capacity
15' 4.57m	10,000# 4 536kg	8,000# 3 629kg	1,200# 544kg
20' 6.10m	9,000# 4 082kg	7,000# 3 175kg	1,400# 635kg
25' 7.62m	8,000# 3 629kg	6,000# 2 722kg	1,550# 703kg
30' 9.14m	7,000# 3 175kg	5,000# 2 268kg	1,700# 771kg
<b>Maximum Boom and Jib Combination</b>			
<b>Boom</b>		<b>Jib</b>	
90' (27.43m)		30' (9.14m)	

[231709]

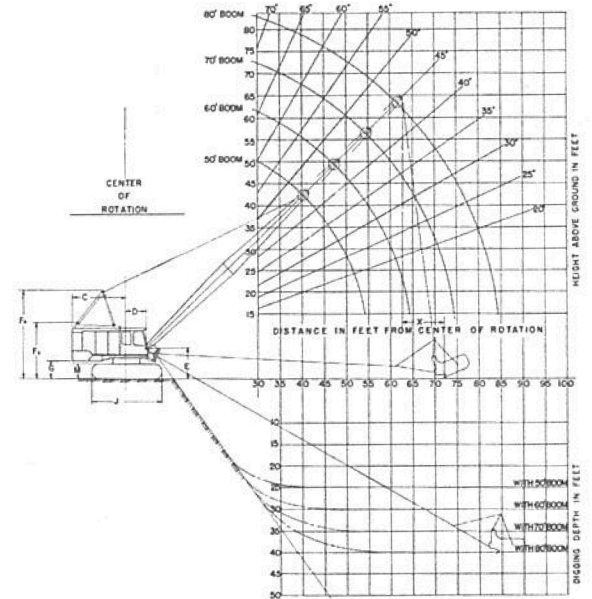
## HOIST LINE REEVING

For Loads Over		
lbs		Use Parts of Line
20,000	9 072	2
40,000	18 144	3
60,000	27 216	4
80,000	Max. 36 287	4

## DRAGLINE RANGES



[S-31357]



[S-21356]

## SHOVEL OPERATING RANGES

25' 0" (7.62m) Boom - 22' 6" (6.86m) Dipper Stick - 3 Cu. Yard (2.29m<sup>3</sup>) Dipper

Boom Angle	40°	45°	50°	55°	60°
AD <sub>1</sub> Maximum Dumping Radius	33' 9" 10.29m	33' 1" 10.08m	32' 5" 9.88m	31' 8" 9.65m	30' 10" 9.40m
AD Dumping Radius at Max. Height	31' 9" 9.68m	30' 2" 9.19m	28' 6" 8.69m	26' 8" 8.13m	24' 8" 7.52m
AH Maximum Dumping Height	20' 0" 6.10m	22' 3" 6.78m	24' 1" 7.34m	25' 11" 7.90m	27' 6" 8.38m
AL Boom Head Clearance Radius	26' 1" 7.95m	24' 6" 7.47m	23' 0" 7.01m	21' 3" 6.48m	19' 5" 5.92m
AK Boom Head Clearance Height	25' 3" 7.70m	26' 11" 8.20m	28' 5" 8.66m	29' 9" 9.07m	30' 11" 9.42m
AJ Maximum Height of Attachment	28' 8" 8.74m	31' 5" 9.58m	33' 7" 10.24m	35' 7" 10.85m	37' 6" 11.43m
AB Maximum Digging Depth	10' 11" 3.33m	10' 1" 3.07m	9' 5" 2.87m	8' 9" 2.67m	8' 1" 2.46m
AA Maximum Reach at Grade Level	24' 1" 7.34m	23' 10" 7.26m	23' 7" 7.19m	23' 2" 7.06m	22' 7" 6.88m
AF Maximum Cutting Radius	38' 7" 11.76m	37' 11" 11.56m	37' 3" 11.35m	36' 6" 11.13m	35' 8" 10.87m

**NORTHWEST ENGINEERING COMPANY • 201 W. Walnut St. • Green Bay, Wisconsin 54305**

Because we are continually improving our products, the descriptions and specifications herein are subject to change without notice and do not constitute express warranties. The only warranty applicable is our standard written warranty. We make no other warranty, express or implied, and particularly make no warranty of merchantability or fitness for a particular purpose.